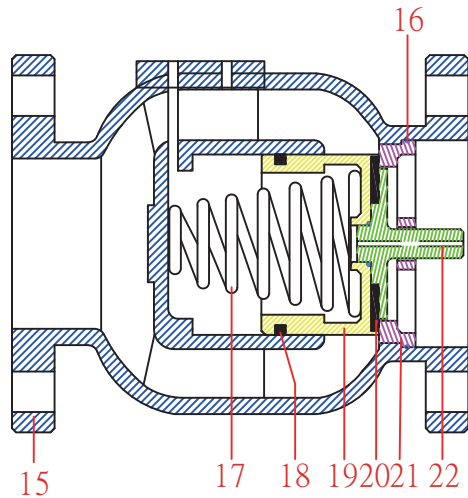
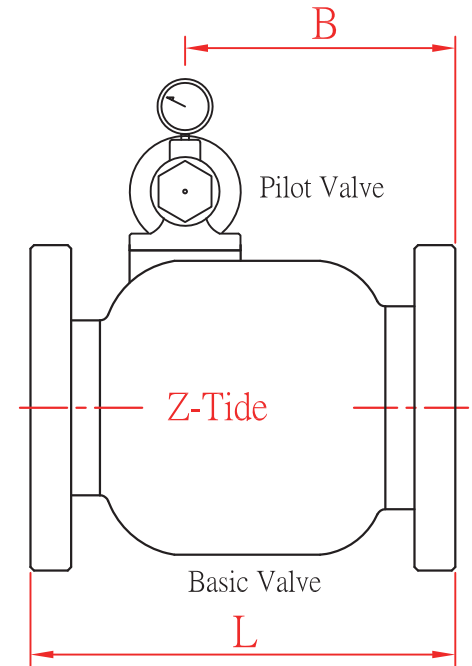
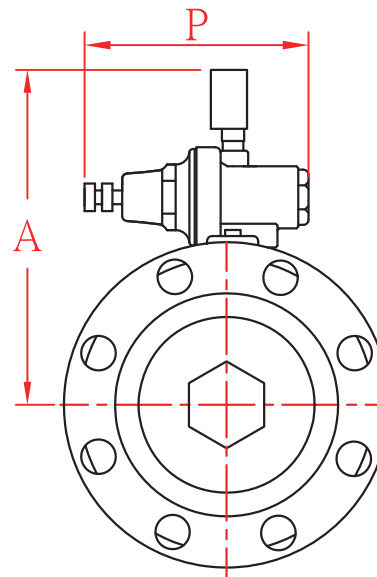


NO.	Part Name	Materials
1	Screw	Stainless Steel #304
2	Spring Housing	Polyamide 66
3	Diaphragm Washer	Stainless Steel #304
4	Body	Stainless Steel CF8
5	Piston	Stainless Steel #304
6	Fastening bolt	Stainless Steel #304
7	O-ring	EPDM EP02971PWRC
8	O-ring	EPDM EP02971PWRC
9	Shaft	Stainless Steel #304
10	Sealing spacer	EPDM EP02971PWRC
11	Diaphragm	EPDM EP02971PWRC
12	Nut	Stainless Steel #304
13	Spring	Spring Steel
14	Spring Washer	Brass



NO.	Part Name	Materials
15	Main Body	Stainless Steel CF8
16	O-ring	EPDM EP02971PWRC
17	Spring	Stainless Steel #304
18	U-ring	EPDM EP02971PWRC
19	Piston	Stainless Steel CF8
20	Sealing	EPDM EP02971PWRC
21	Seat	Stainless Steel CF8
22	Shaft	Stainless Steel CF8

\* Pressure Range : 1 ~ 7 kgf/cm<sup>2</sup>  
4 ~ 12 kgf/cm<sup>2</sup>

Model	Size	A	B	L	P
BFR-50	DN50	180	125	190	123
BFR-65	DN65	185	135	210	123
BFR-80	DN80	200	145	225	123
BFR-100	DN100	225	160	250	123
BFR-150	DN150	260	170	310	123
BFR-200	DN200	265	280	420	123
BFR-250	DN200	330	320	470	123
BFR-300	DN200	360	360	535	123

Unit : mm



Z-Tide Valves

ELITE LINE INDUSTRIAL CORP.

Pressure Reducing Valve  
Pilot Control  
PN16 / ANSI 150

Designed

Unit

Drwg. No

Proj. No

MM

BFR-FL-S  
-WRAS

Checked

Date

24.Nov.14

Thank you for evaluating Wondershare PDF Password Remover.

You can only convert 5 pages with the trial version.

To get all the pages converted, you need to purchase the software from:

<http://cbs.wondershare.com/go.php?pid=526&m=db>